

Go to [www.vtechphones.com](http://www.vtechphones.com) to register your product for enhanced warranty support and latest VTech product news.

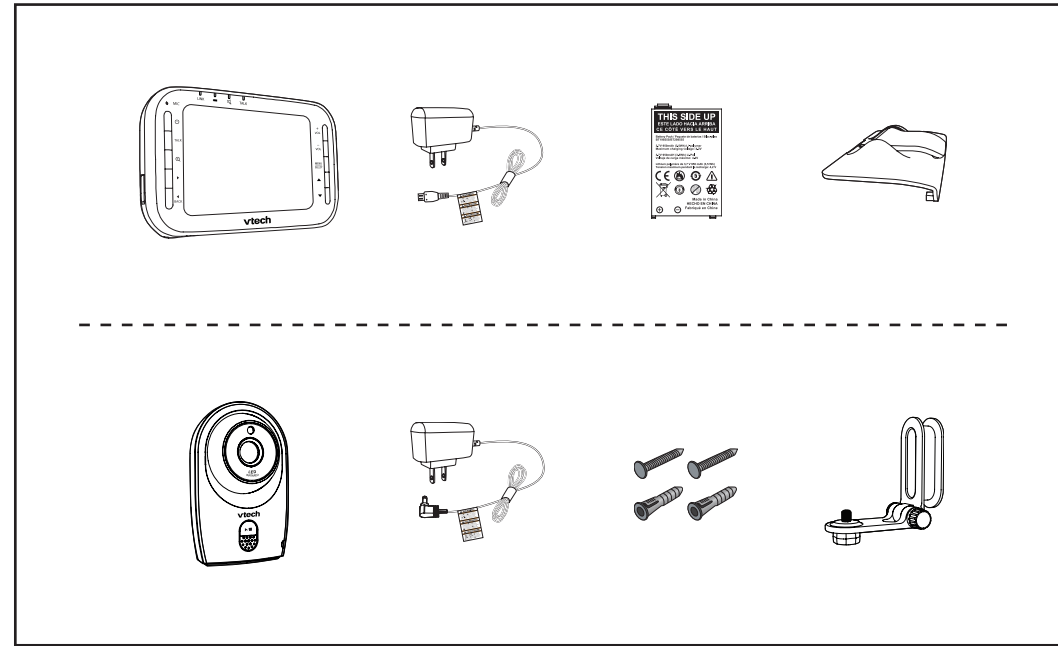
VM341

**vtech**

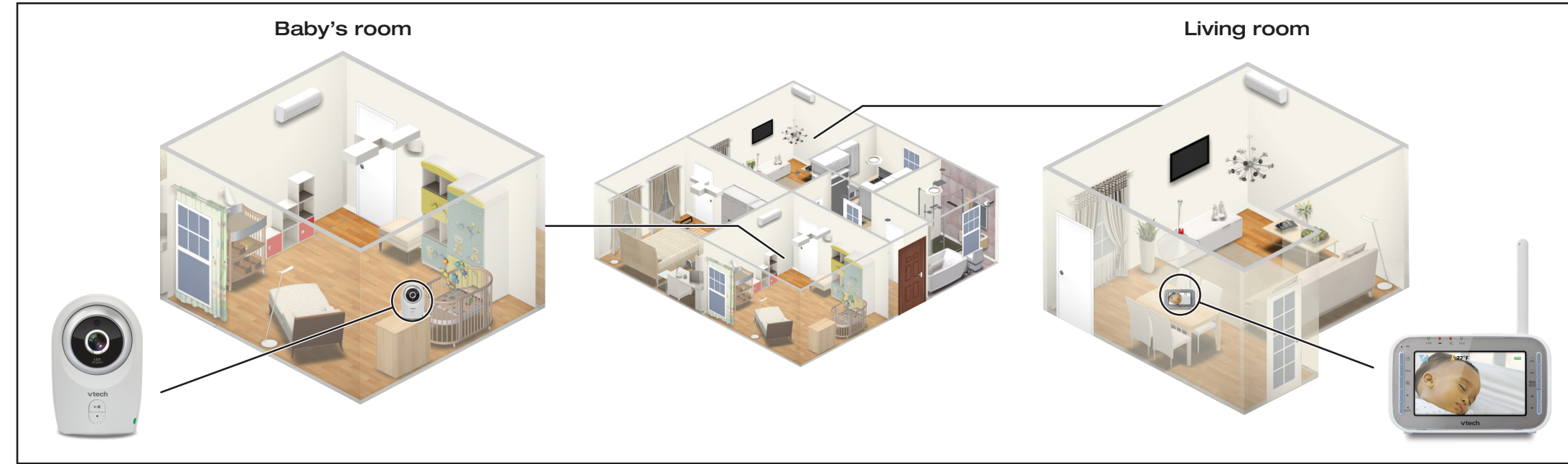
Quick start guide



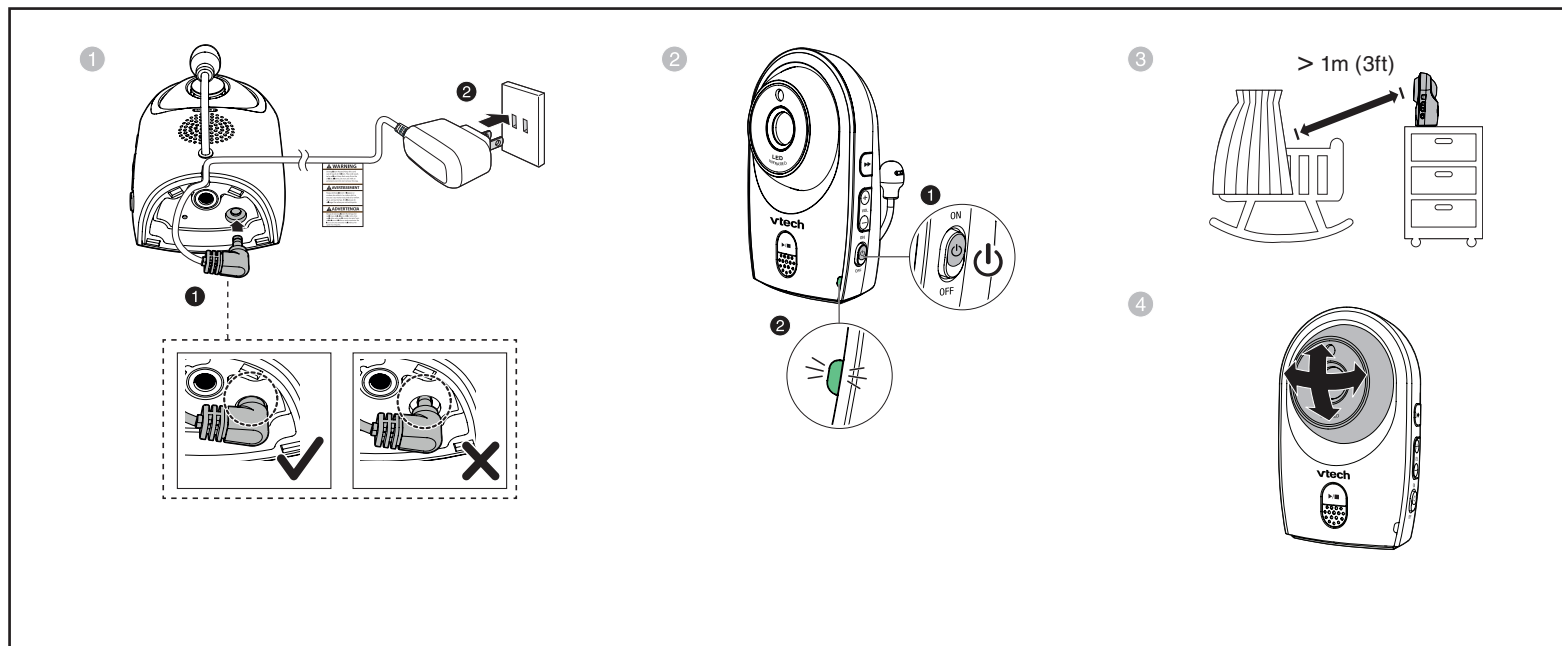
**What's in the box**



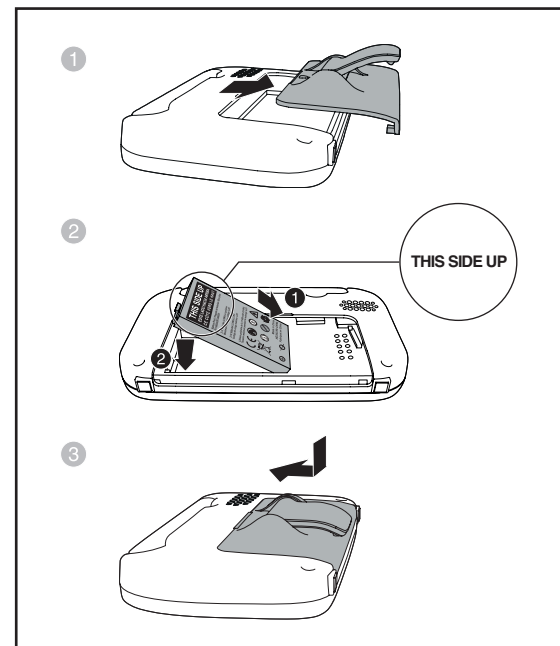
**VM341 baby monitor system**



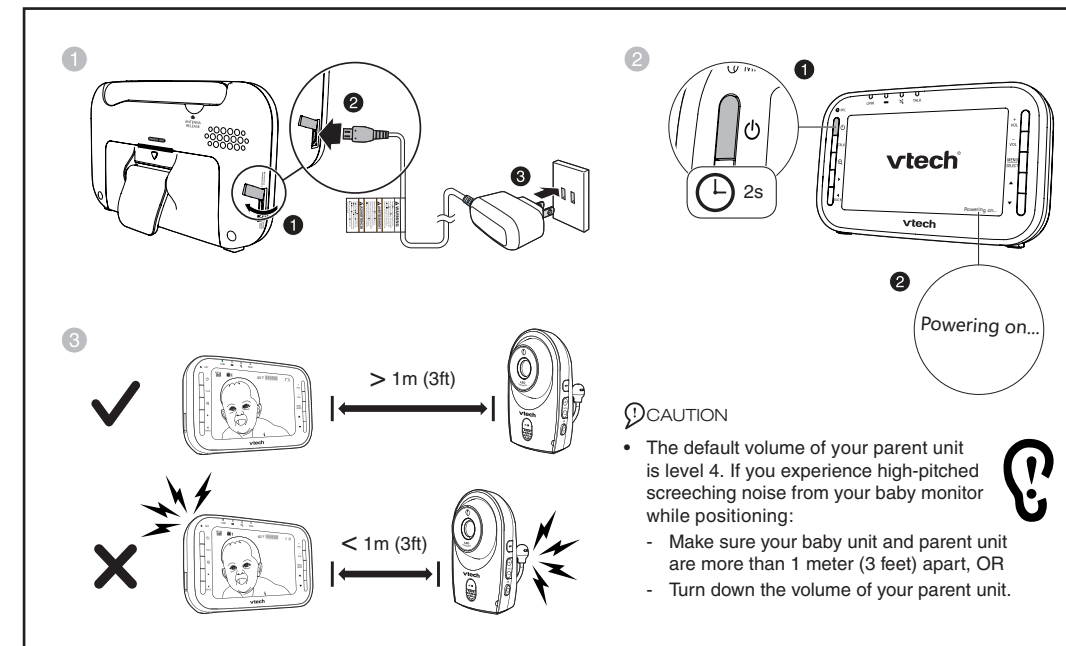
**1 Connect and power on - Baby unit**



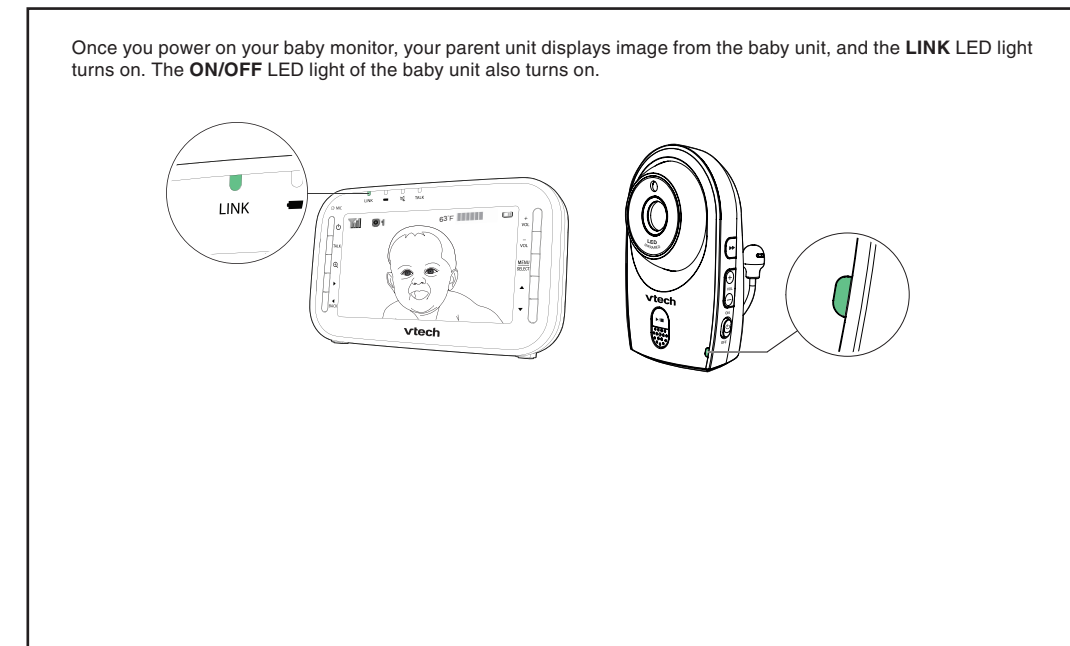
**2 Install the battery**



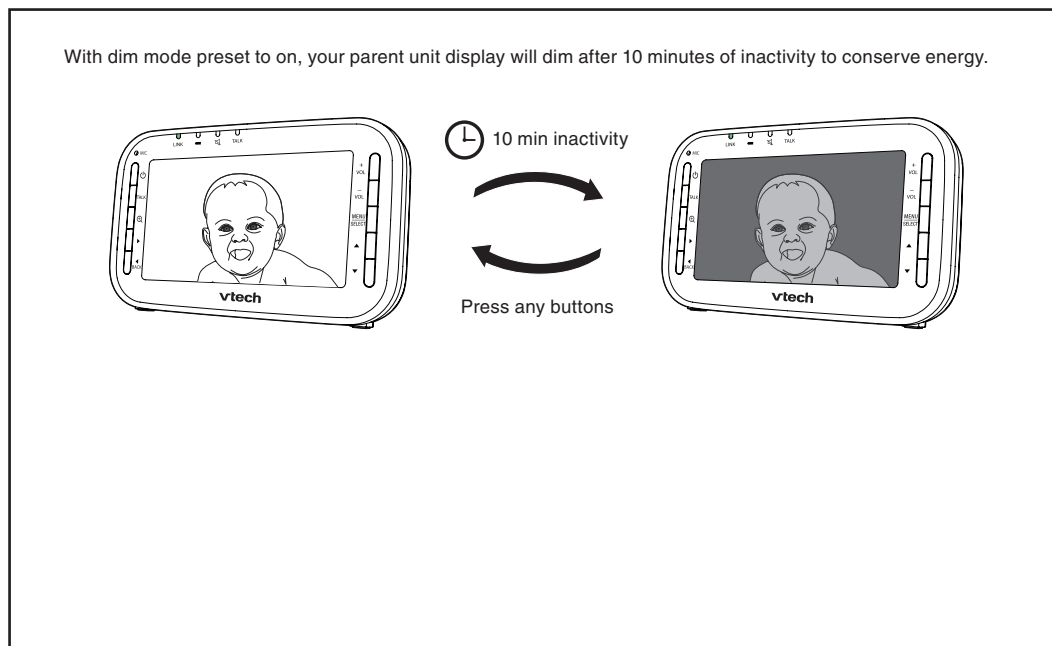
**3 Connect and power on - Parent unit**



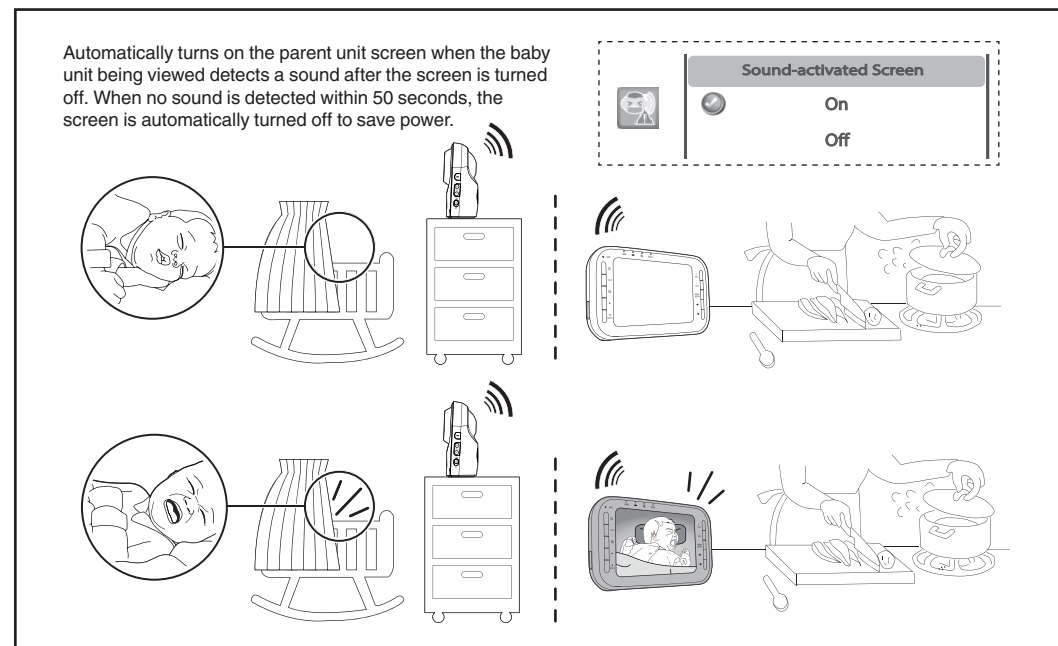
**4 Status check**



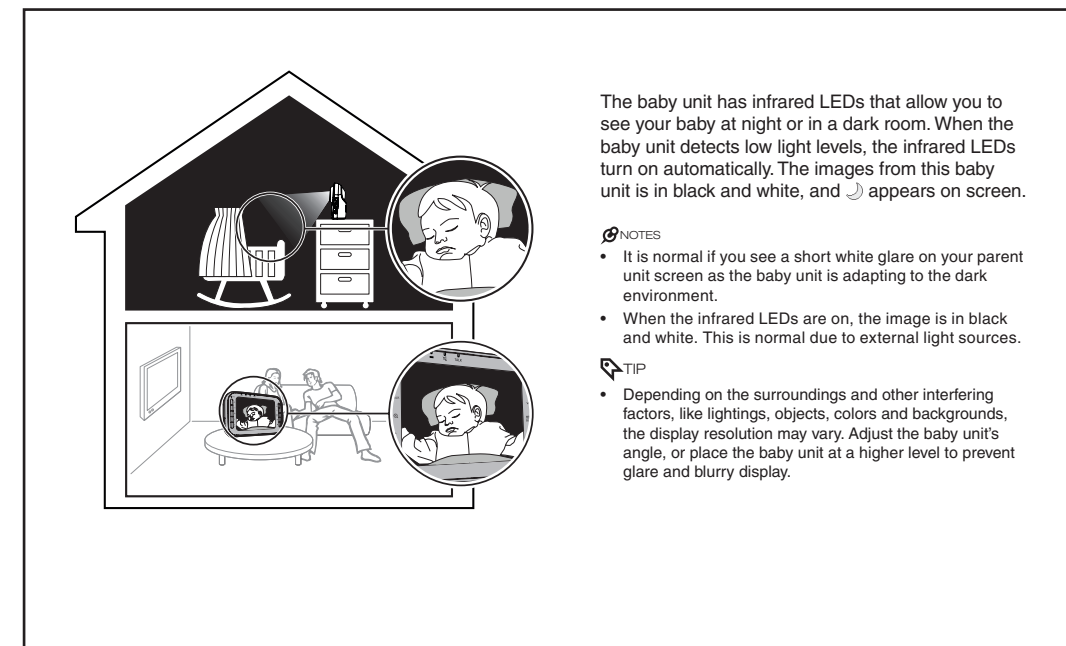
**Dim mode**



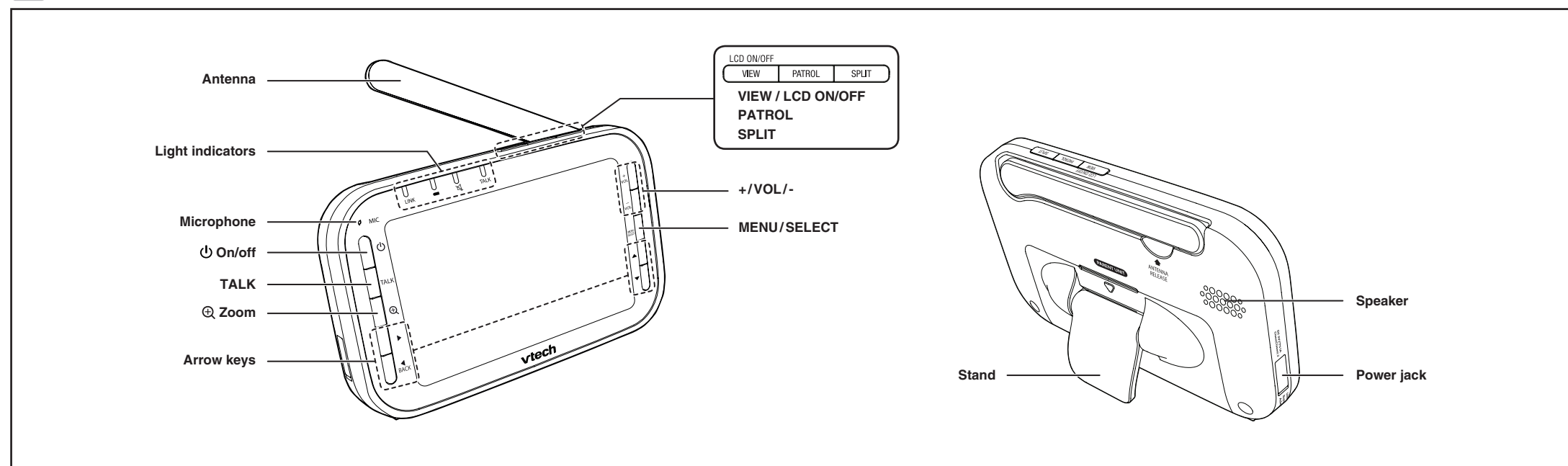
**Sound activation**



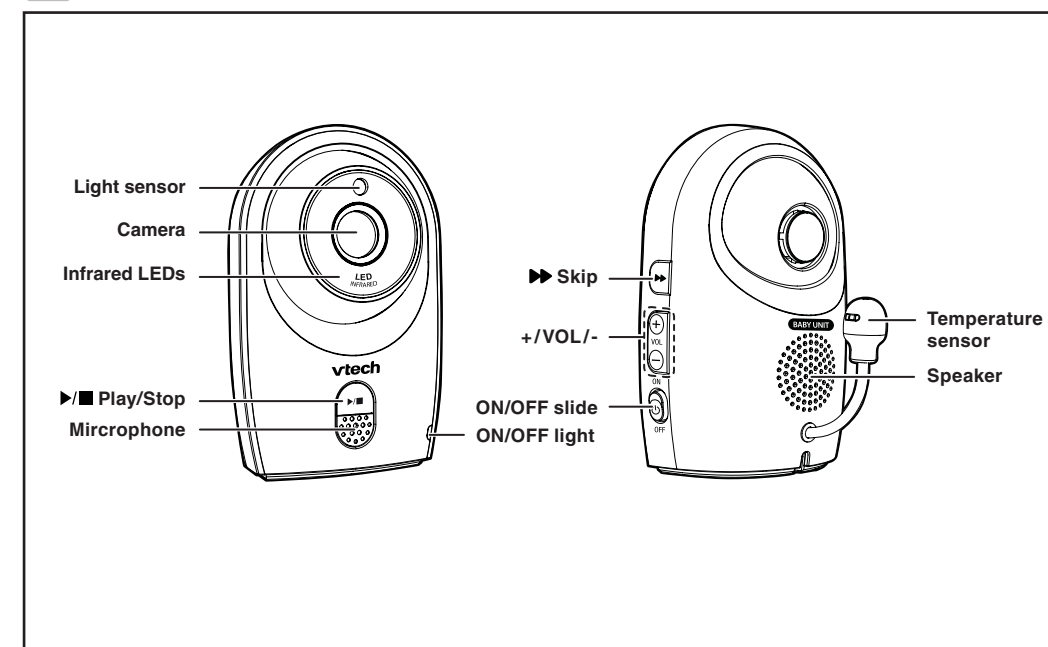
**Night vision**



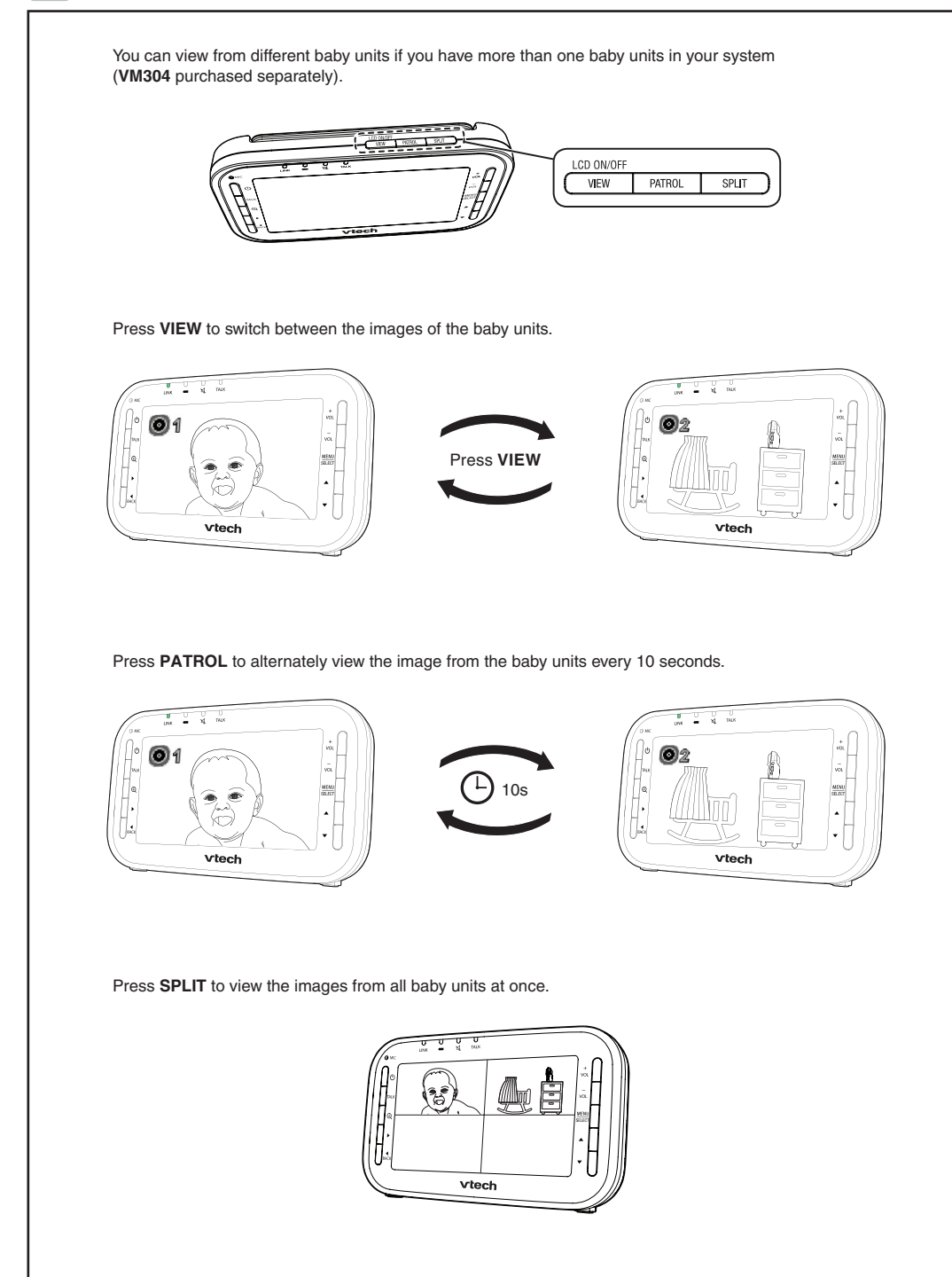
## Overview - Parent unit



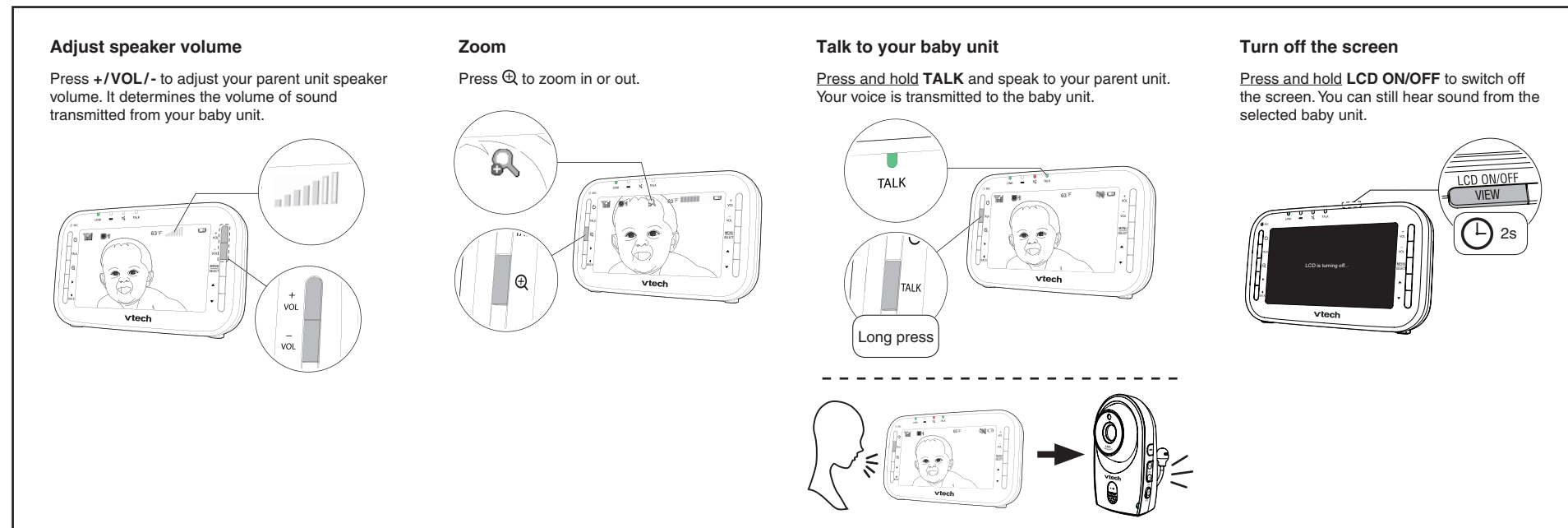
## Overview - Baby unit



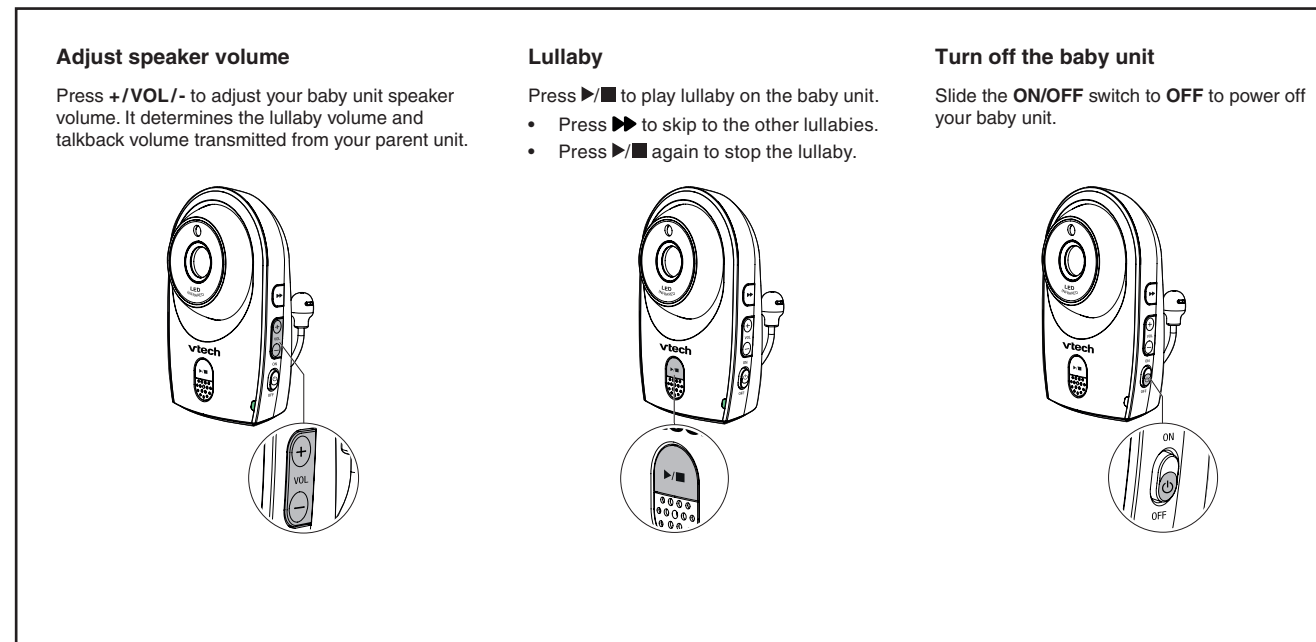
## Change different views (require additional baby units - VM304)



## Basic operation - Parent unit



## Basic operation - Baby unit



## Use the menu

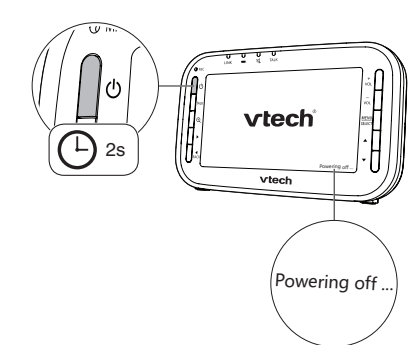
Press **MENU/SELECT** to enter the menu, choose a menu item, or save a setting.

While in the menu:

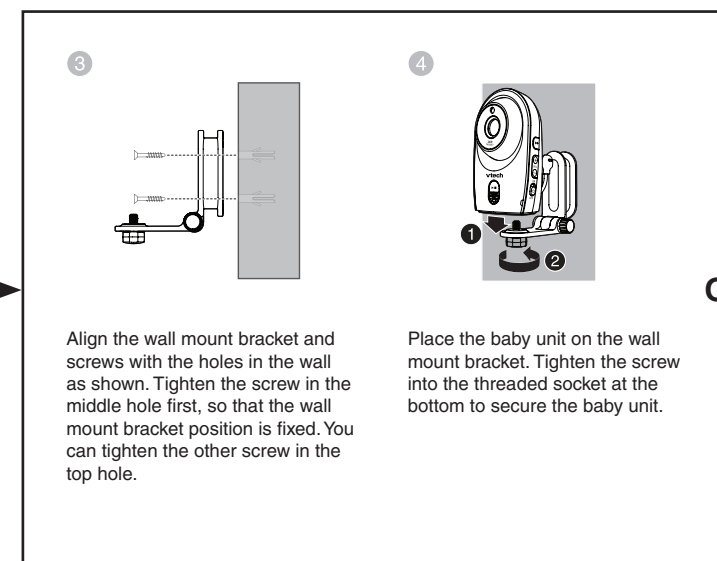
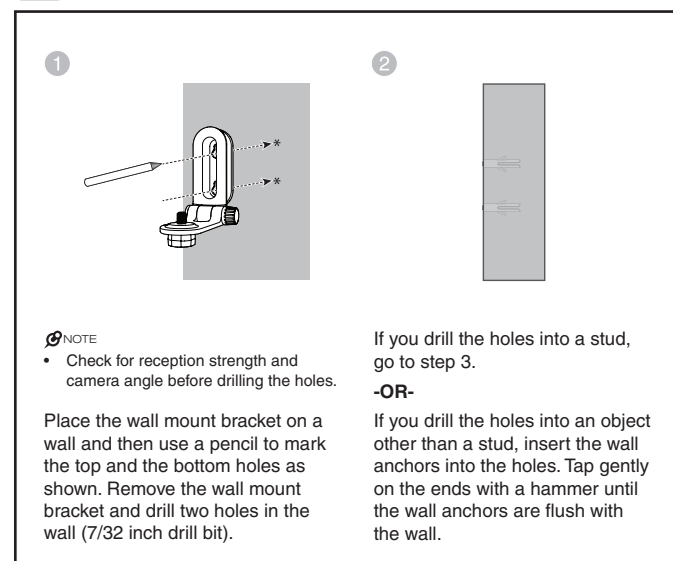
- Press **▲** or **▼** to scroll up or down.
- Press **▶** to select an item.
- Press **◀** **BACK** to return to the main menu or idle screen.

## Turn off the parent unit

Press and hold **On** to power off your parent unit.



## Mount the baby monitor (optional)



OR

