

Go to [www.vtechphones.com](http://www.vtechphones.com) to register your product for enhanced warranty support and latest VTech product news.

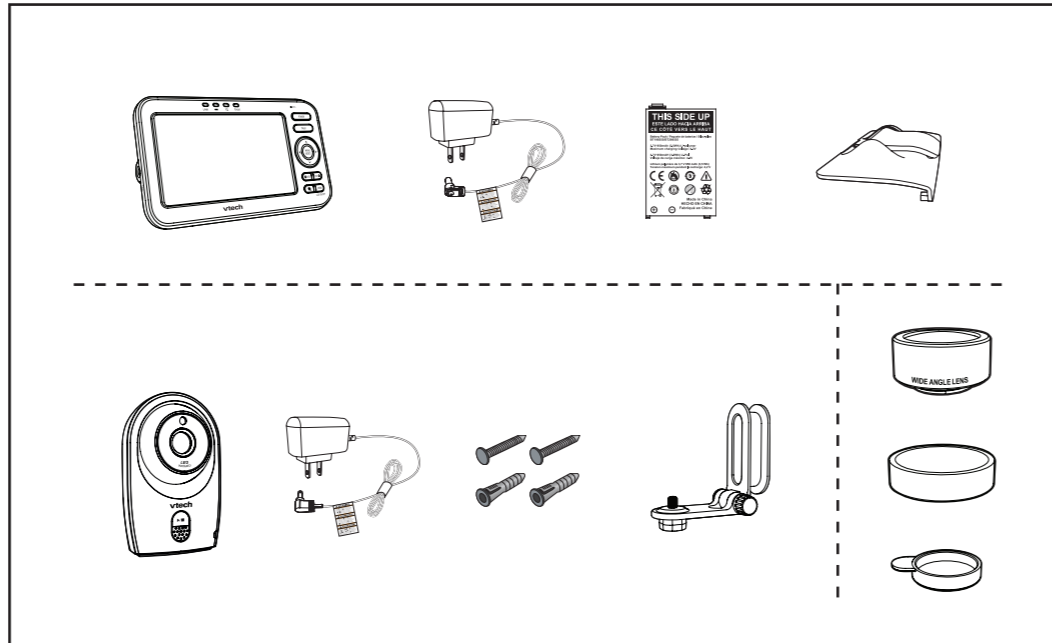
VM351



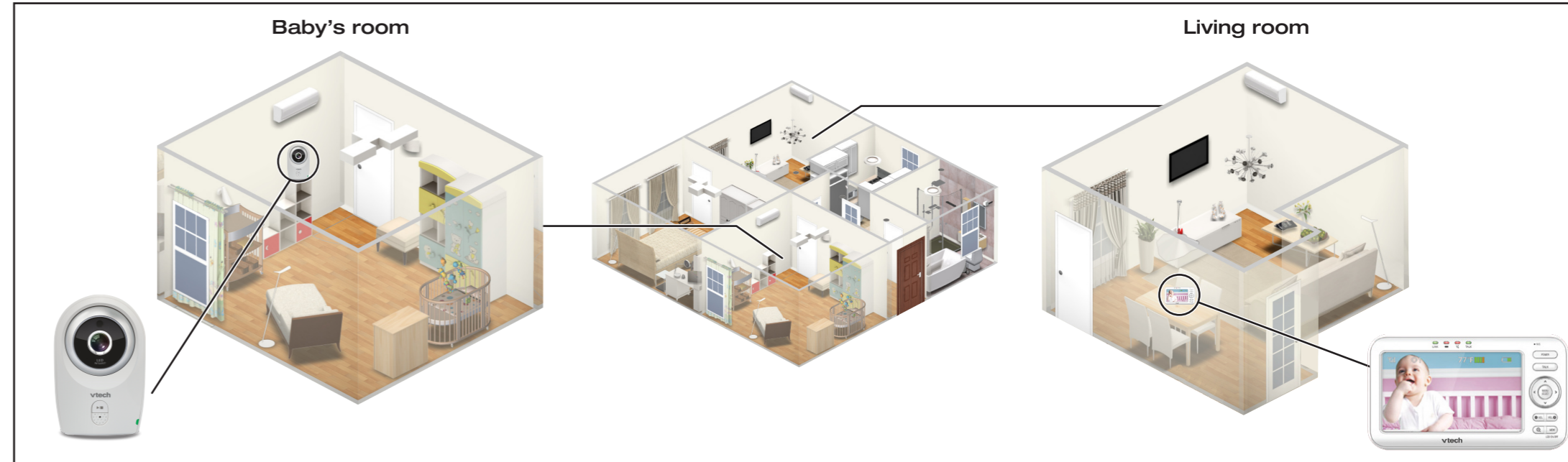
**vtech**

Quick start guide

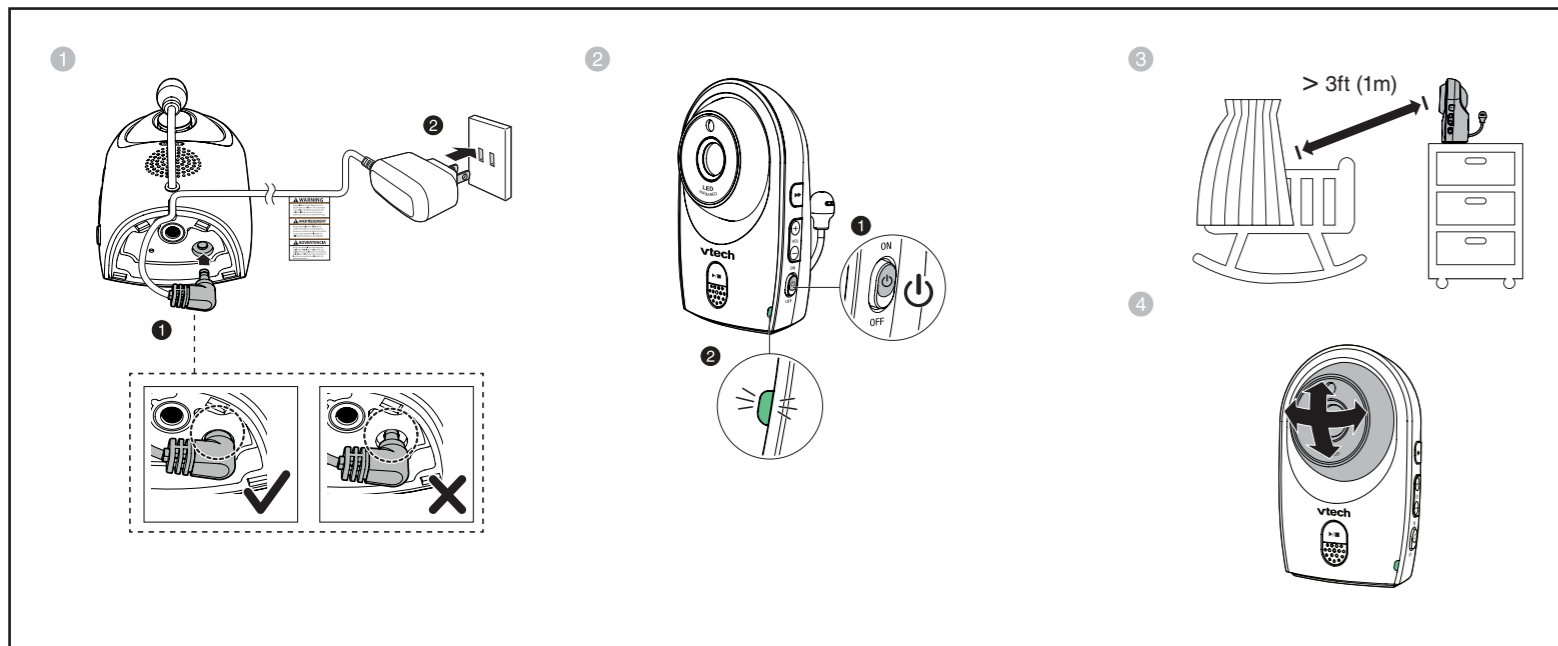
**What's in the box**



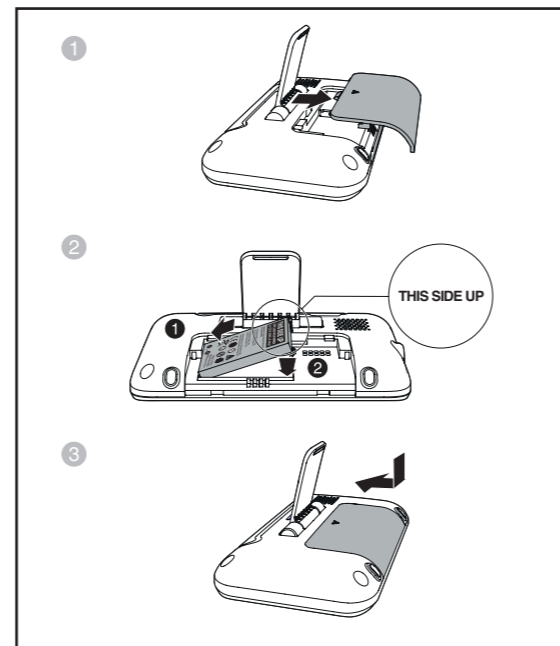
**VM351 baby monitor system**



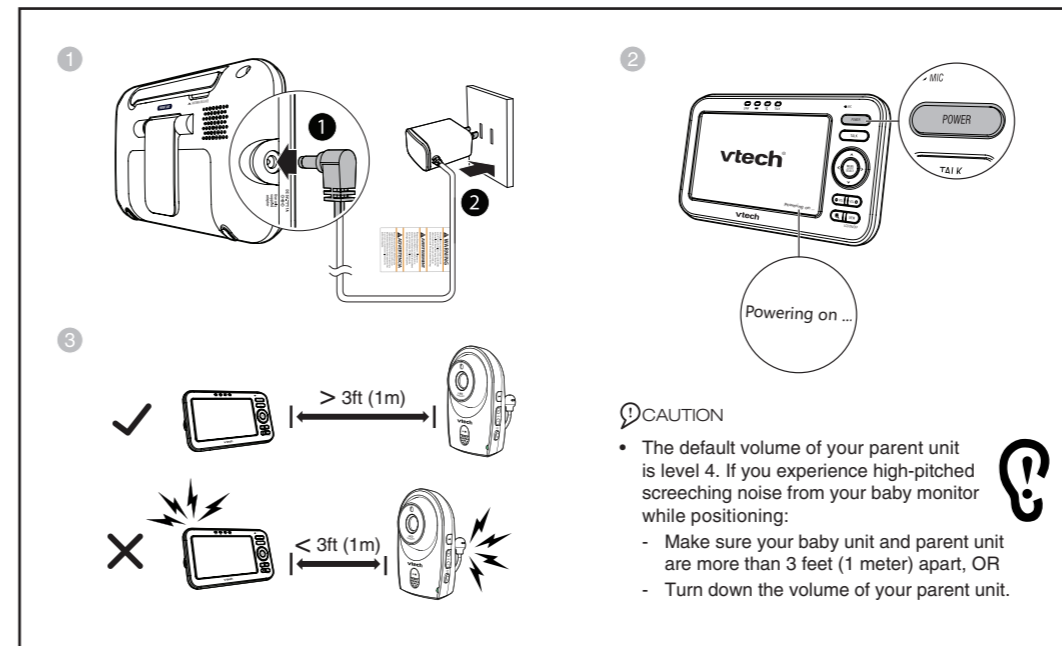
**1 Connect and power on - Baby unit**



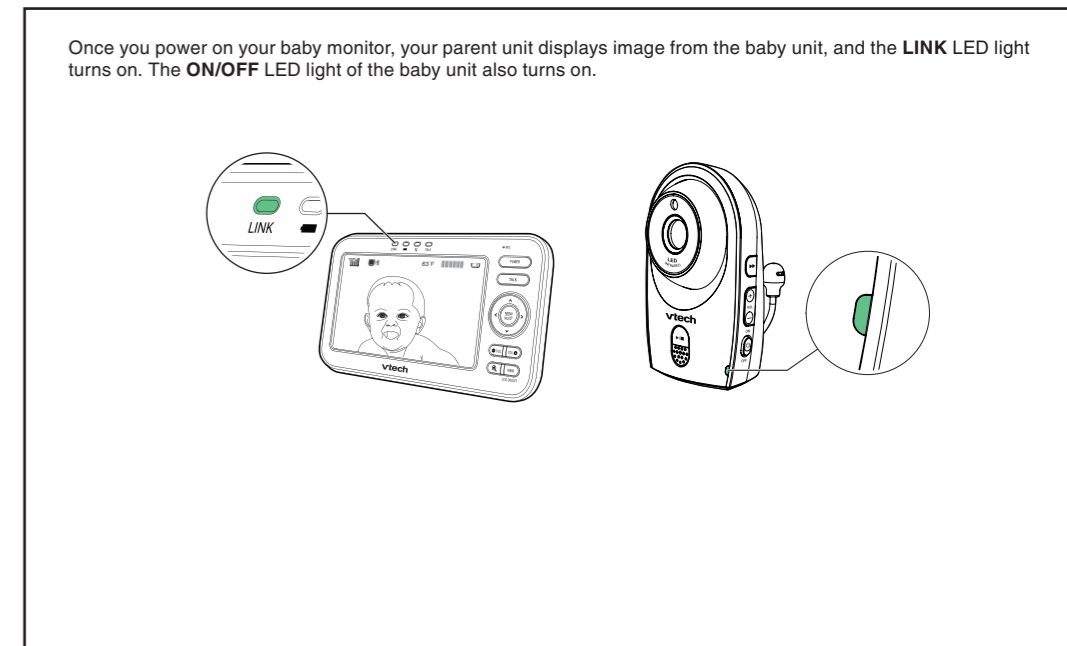
**2 Install the battery**



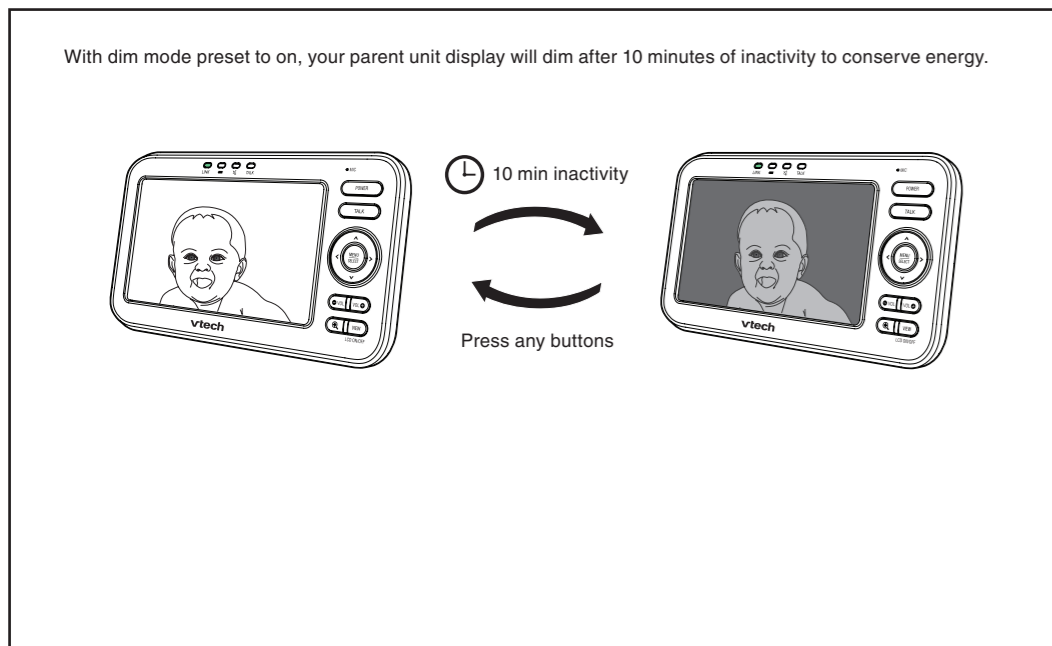
**3 Connect and power on - Parent unit**



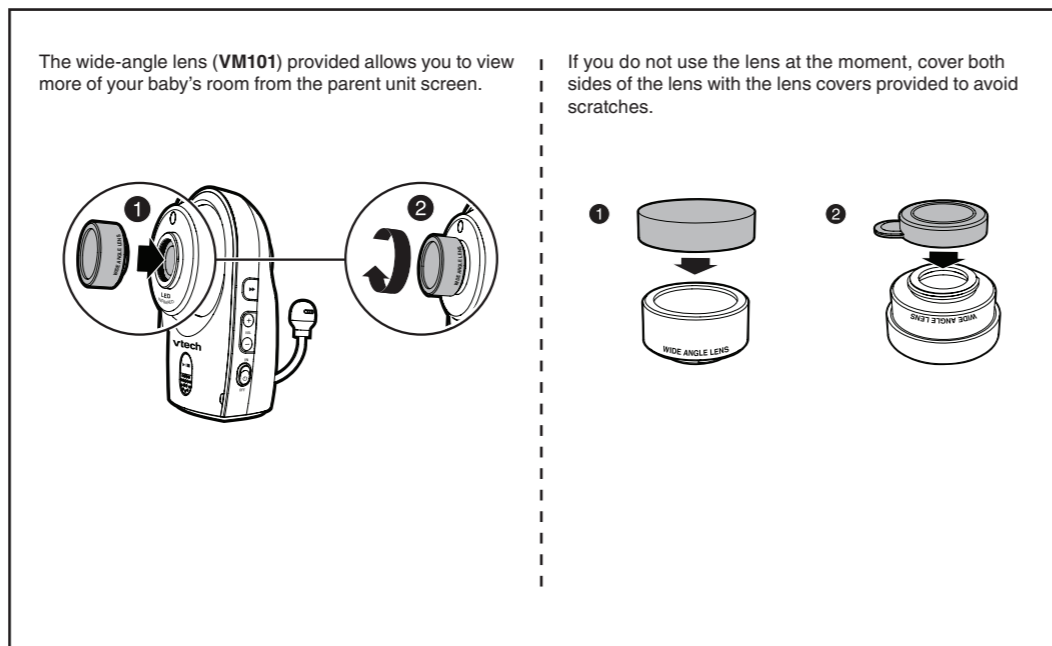
**4 Status check**



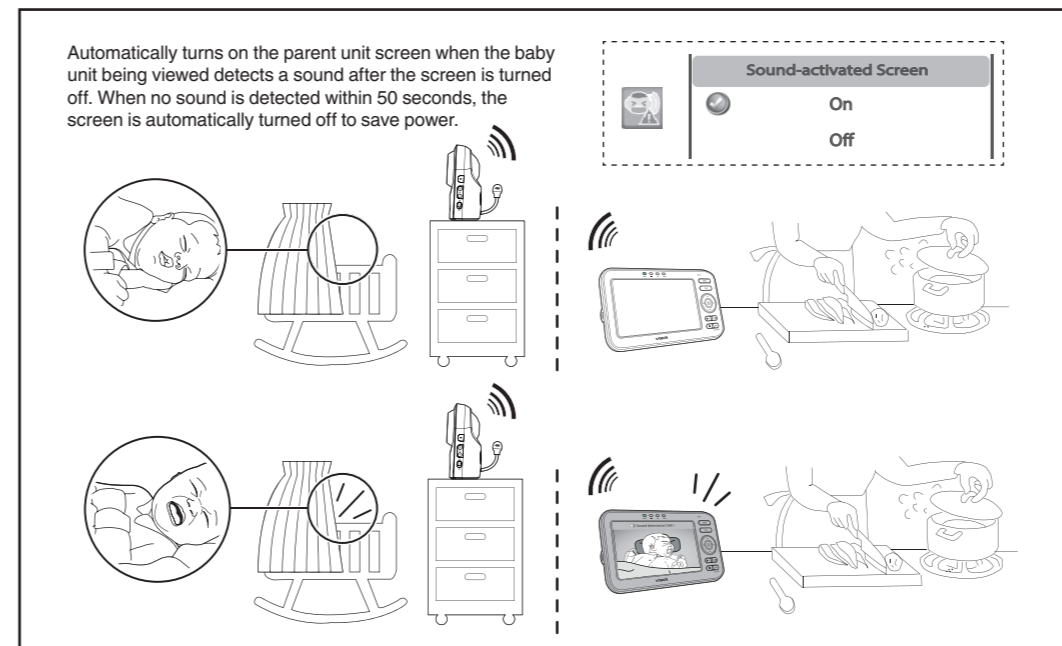
**Dim mode**



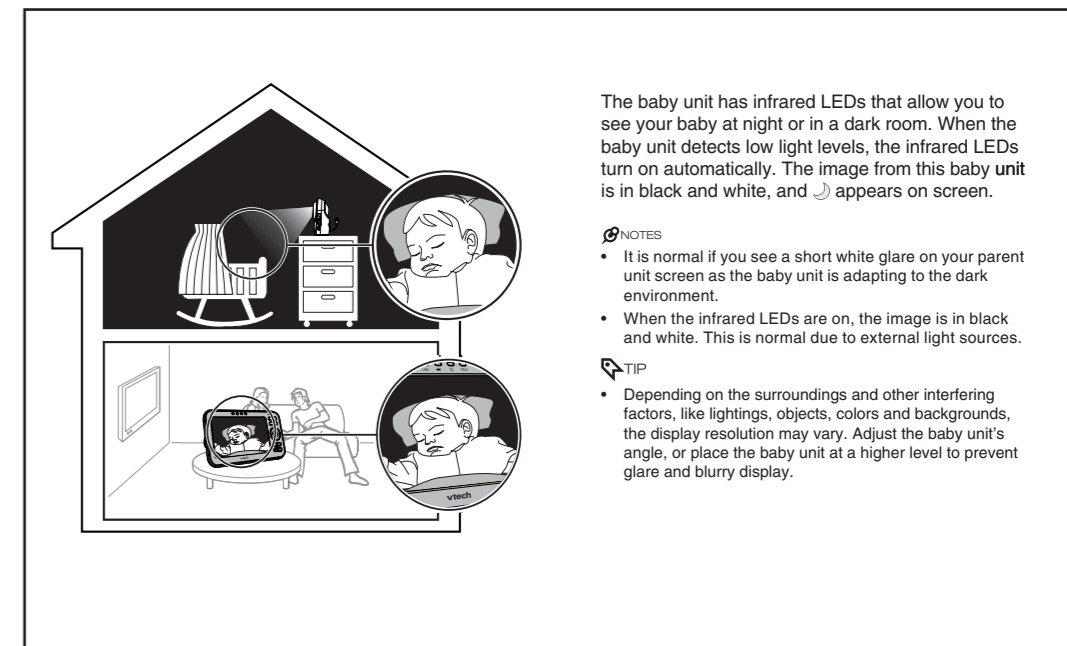
**Install the lens (optional)**



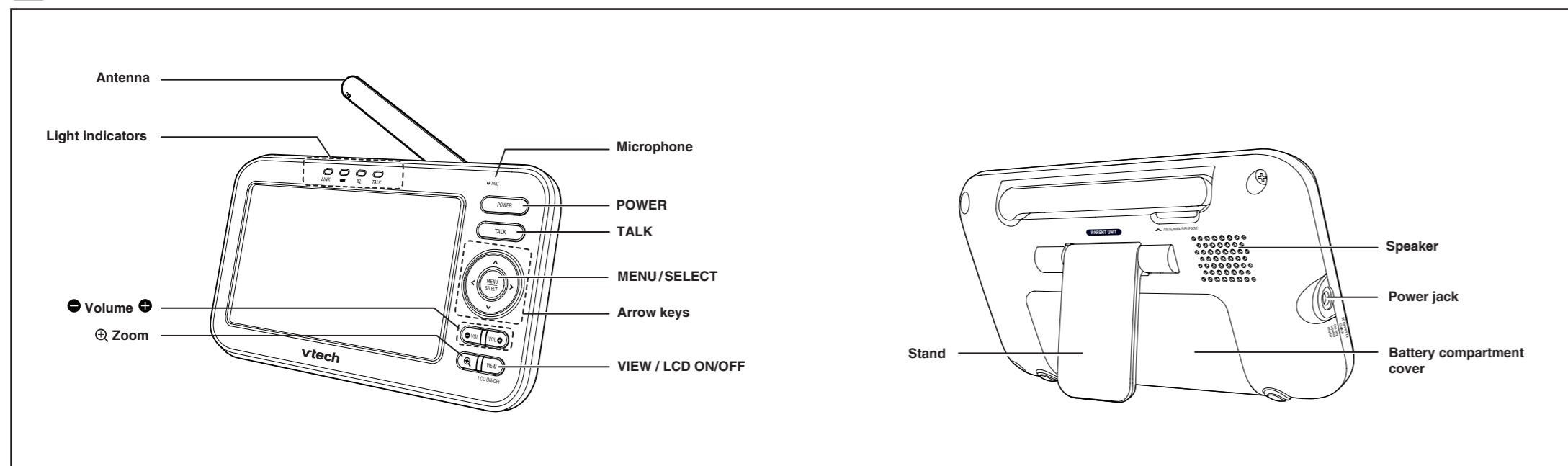
**Sound activation**



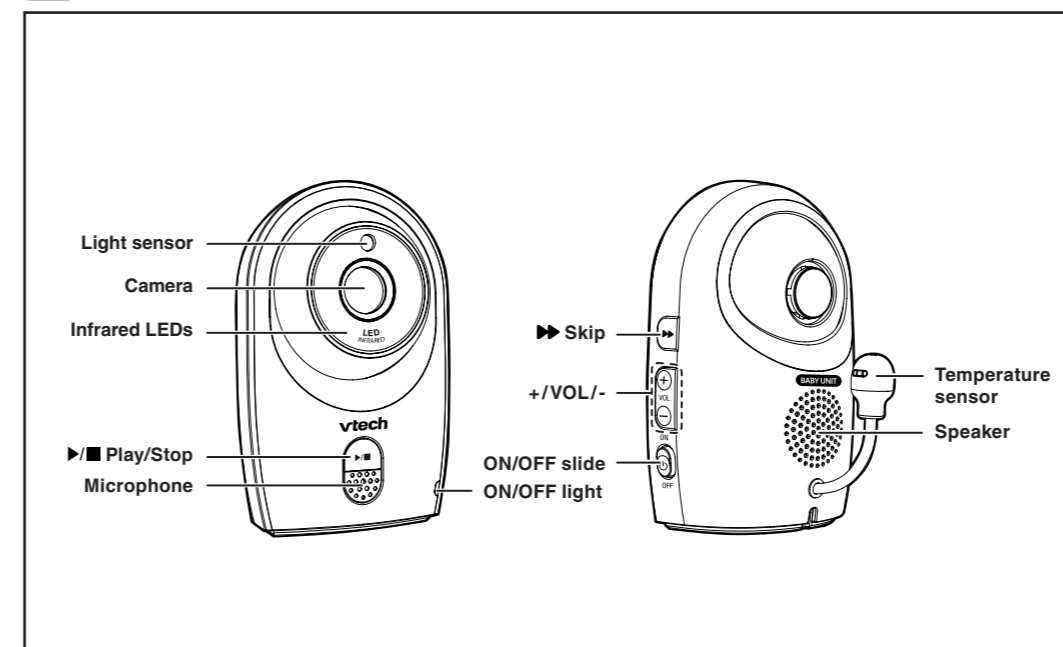
**Night vision**



## Overview - Parent unit



## Overview - Baby unit



## Basic operation - Parent unit

### Adjust speaker volume

Press **+ /VOL/-** to adjust your parent unit speaker volume. It determines the volume of sound transmitted from your baby unit.

### Zoom

Press **Q** to zoom in or out.

### Talk to your baby unit

Press and hold **TALK** and speak to your parent unit. Your voice is transmitted to the baby unit.

### Turn off the screen

Press and hold **LCD ON/OFF** to switch off the screen. You can still hear sound from the selected baby unit.

### Use the menu

Press **MENU/SELECT** to enter the menu, choose a menu item, or save a setting.

While in the menu:

- Press **▲** or **▼** to scroll up or down.
- Press **▶** to select an item.
- Press **◀** to return to the main menu or idle screen.

### Turn off the parent unit

Press and hold **POWER** to power off your parent unit.

## Basic operation - Baby unit

### Adjust speaker volume

Press **+ /VOL/-** to adjust your baby unit speaker volume. It determines the lullaby volume and talkback volume transmitted from your parent unit.

### Lullaby

Press **▶/■** to play lullaby on the baby unit.

- Press **▶▶** to skip to the other lullabies.
- Press **▶/■** again to stop the lullaby.

### Turn off the baby unit

Slide the **ON/OFF** switch to **OFF** to power off your baby unit.

## Mount the baby monitor (optional)

**1**

**2**

**NOTE**

- Check for reception strength and camera angle before drilling the holes.

Place the wall mount bracket on a wall and then use a pencil to mark the top and the bottom holes as shown. Remove the wall mount bracket and drill two holes in the wall (7/32 inch drill bit).

If you drill the holes into a stud, go to step 3.

-OR-

If you drill the holes into an object other than a stud, insert the wall anchors into the holes. Tap gently on the ends with a hammer until the wall anchors are flush with the wall.

**3**

Align the wall mount bracket and screws with the holes in the wall as shown. Tighten the screw in the middle hole first, so that the wall mount bracket position is fixed. You can tighten the other screw in the top hole.

**4**

Place the baby unit on the wall mount bracket. Tighten the screw into the threaded socket at the bottom to secure the baby unit.

**OR**

**3**

Insert the screws into the holes and tighten the screws until only 1/4 inch of the screws are exposed.

**4**

Place the baby unit on the wall mount bracket. Tighten the screw into the threaded socket at the bottom to secure the baby unit. Align the holes on the wall mount bracket with the screws on the wall, and slide the wall mount bracket down until it locks into place.

**5**

The default angle of the wall mount bracket is 90 degrees. You can maximize your baby unit's viewing angles by tilting the wall mount bracket.

Hold the baby unit, and then rotate the knob in anticlockwise direction. This will loosen the joint of the wall mount bracket. Tilt your baby unit up or down to adjust to your preferred angle. Then, rotate the knob in clockwise direction to tighten the joint and secure the angle.

