

Go to www.vtechphones.com to register your product for enhanced warranty support and latest VTech product news.

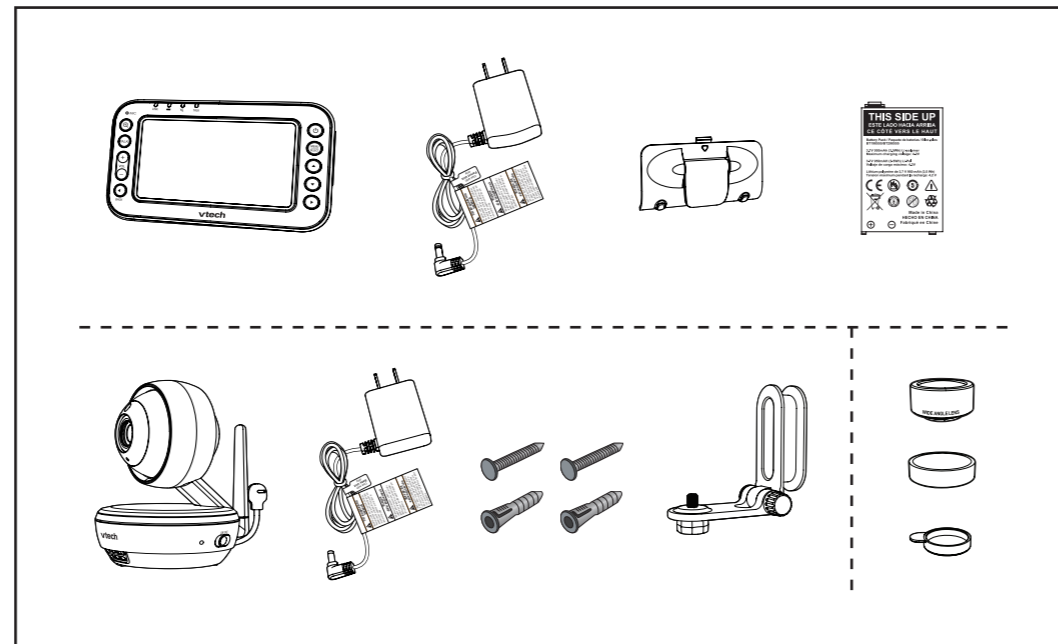
VM4261

vtech

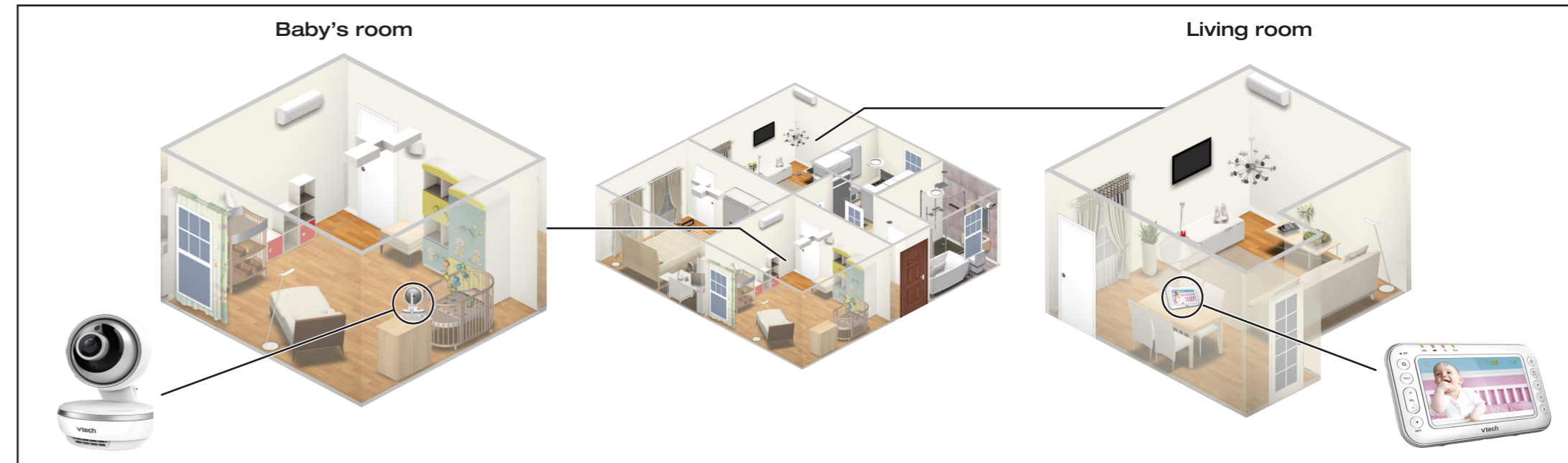
Quick start guide



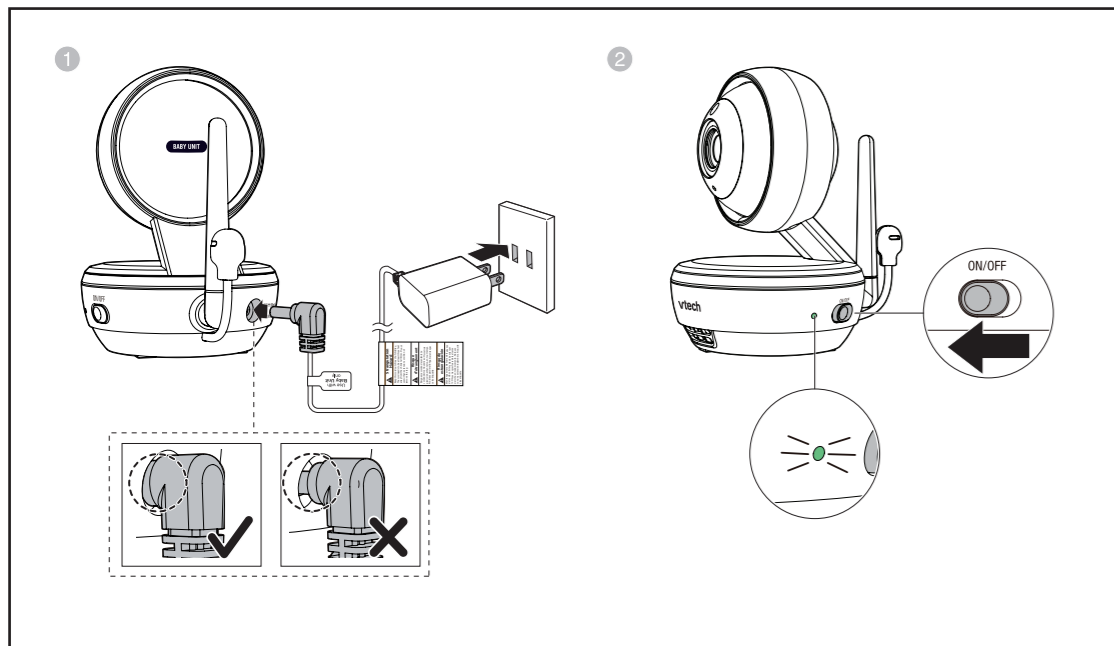
What's in the box



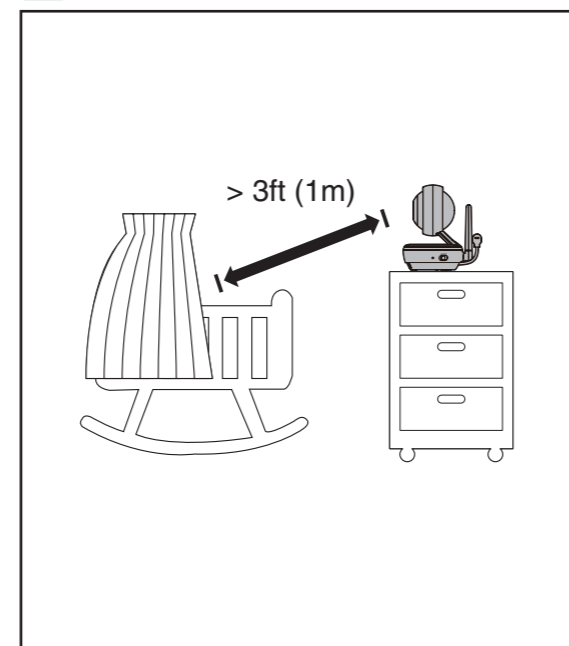
VM4261 baby monitor system



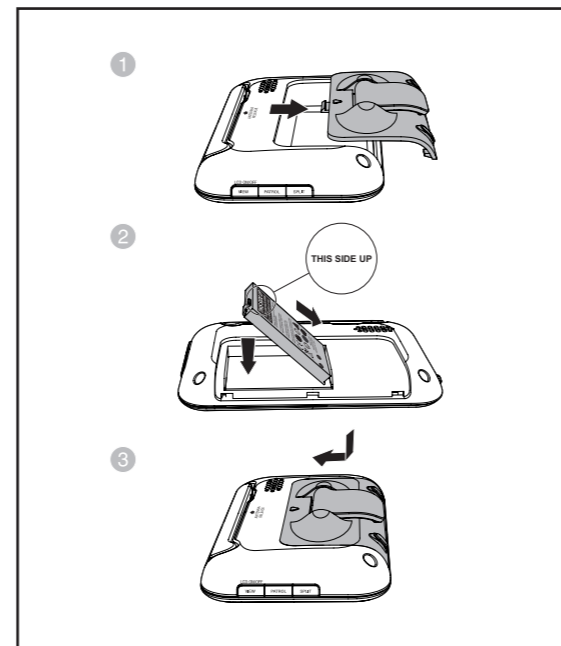
1 Connect and power on - Baby unit



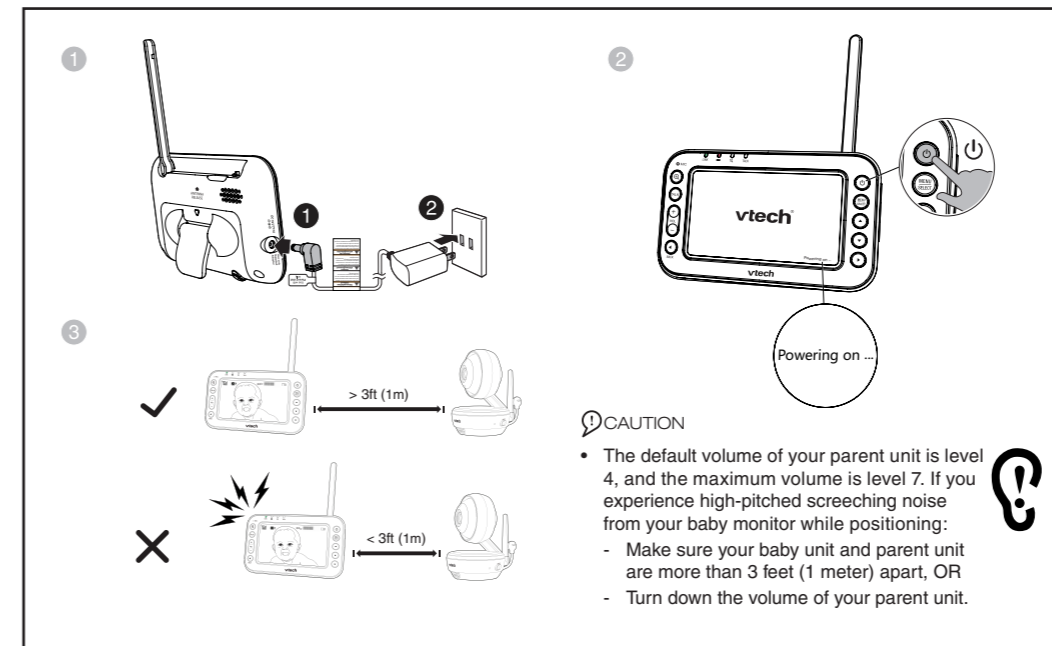
2 Positioning - Baby unit



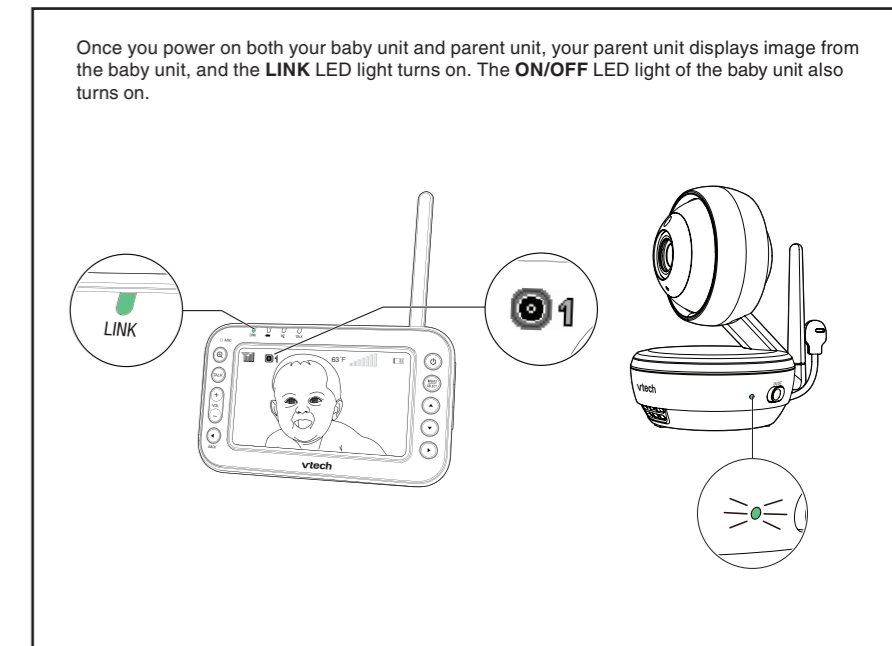
3 Install the battery



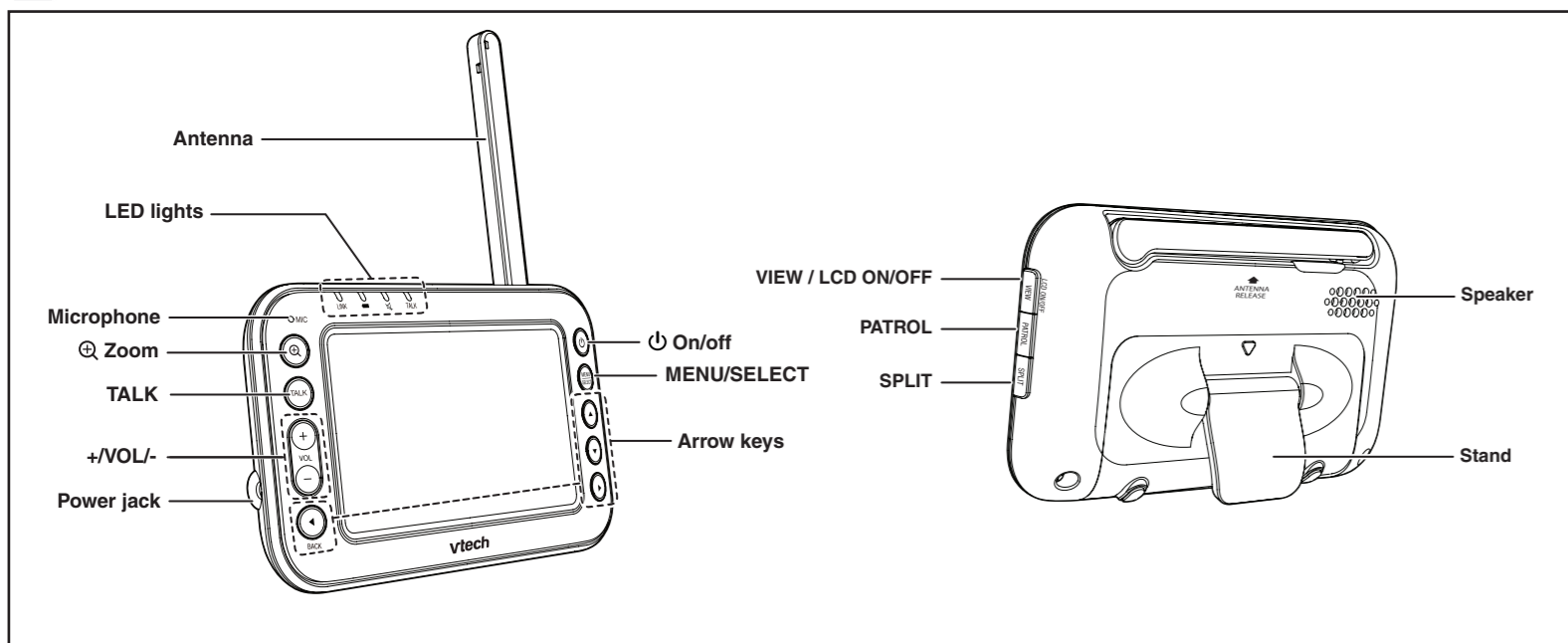
4 Connect and power on - Parent unit



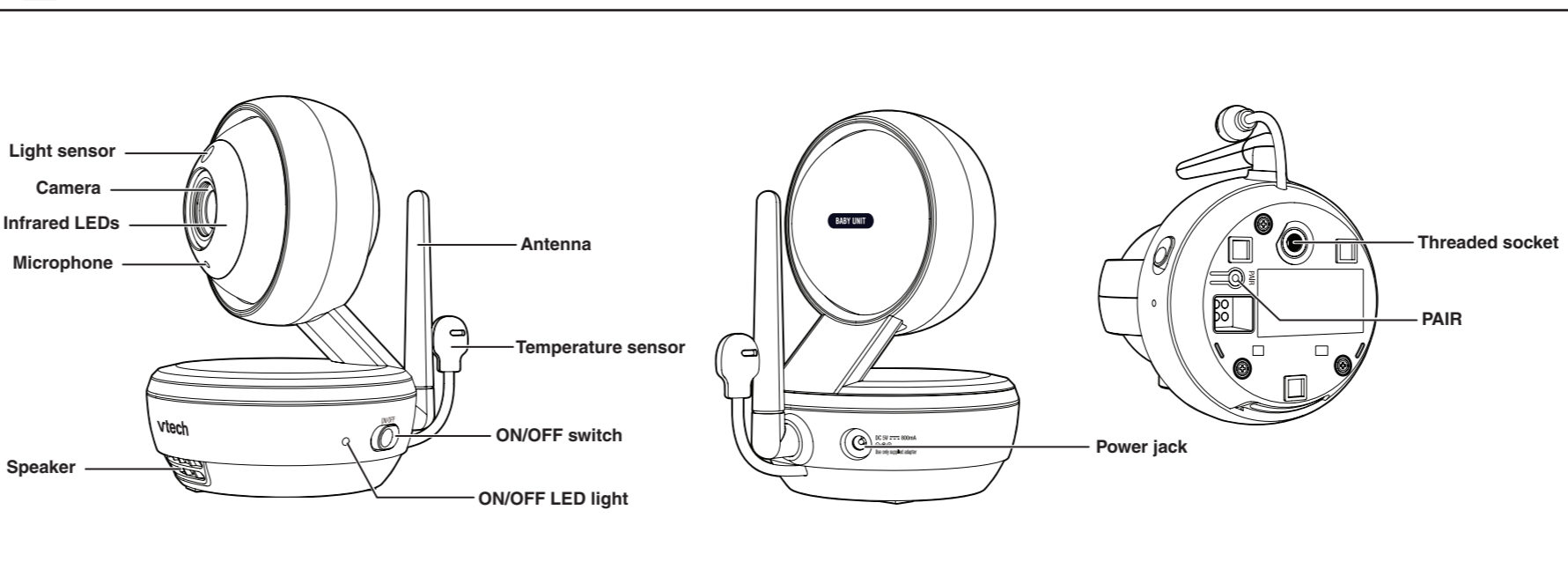
5 Status check



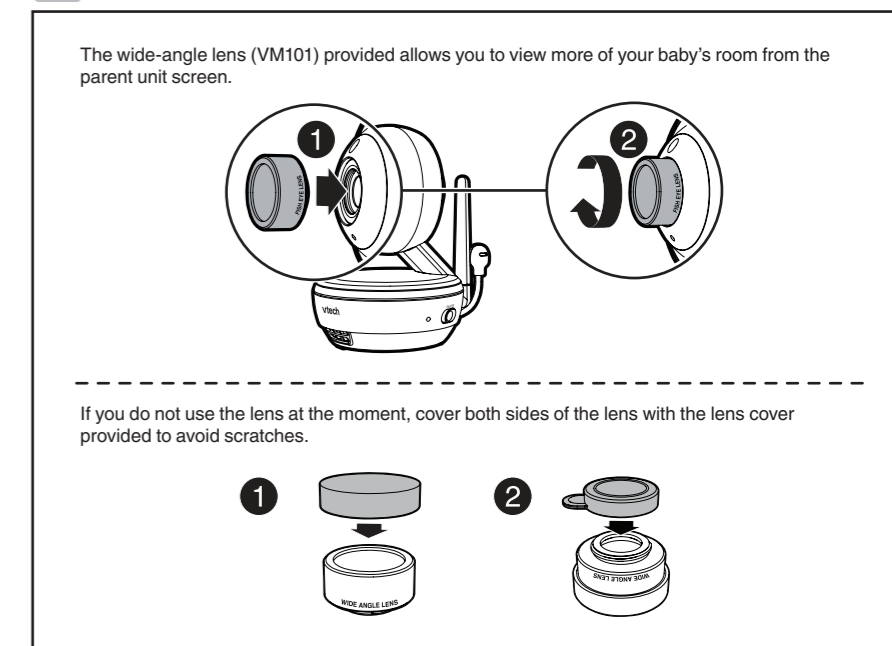
Overview - Parent unit



Overview - Baby unit



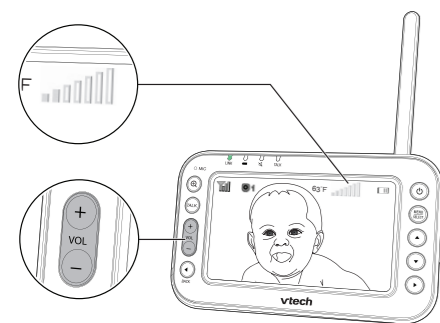
Install the lens (optional)



Basic operation - Parent unit

Adjust speaker volume

Press **+VOL** / **-** to adjust your parent unit speaker volume. It determines the volume of sound transmitted from your baby units.



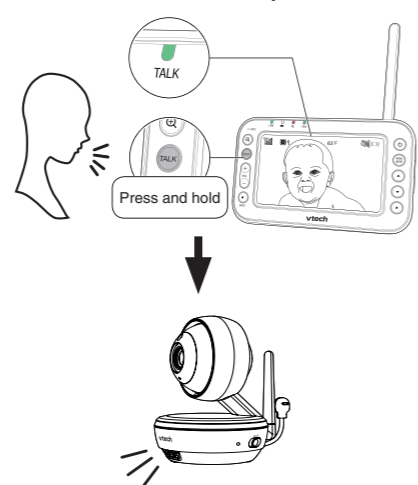
Pan, tilt, zoom

Press and hold **▼**, **▲**, **◀** or **▶** to move the camera.



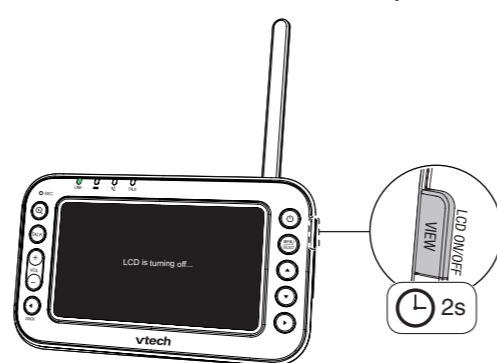
Talk to your baby unit

Press and hold **TALK** and speak to your parent unit. Your voice is transmitted to the baby unit.



Turn off the screen

Press and hold **LCD ON/OFF** to switch off the screen. You can still hear sound from the selected baby unit.



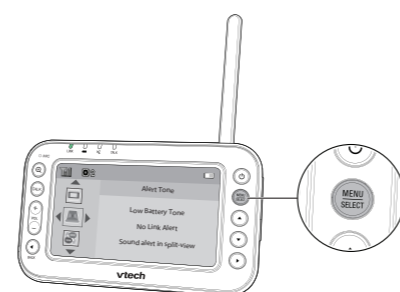
TIP
• Press any keys on the parent unit to turn on the screen again.

Use the menu

Press **MENU/SELECT** to enter the menu, choose a menu item, or save a setting. You can use the parent unit for advanced settings or operations, such as to play or stop the baby unit lullaby, or to adjust the baby unit sound sensitivity.

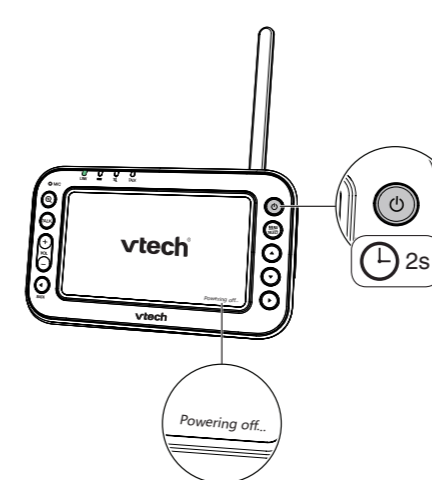
While in the main menu:

- Press **▲** or **▼** to scroll up or down.
- Press **▶** to select an item.
- Press **◀** to return to the main menu or idle screen.



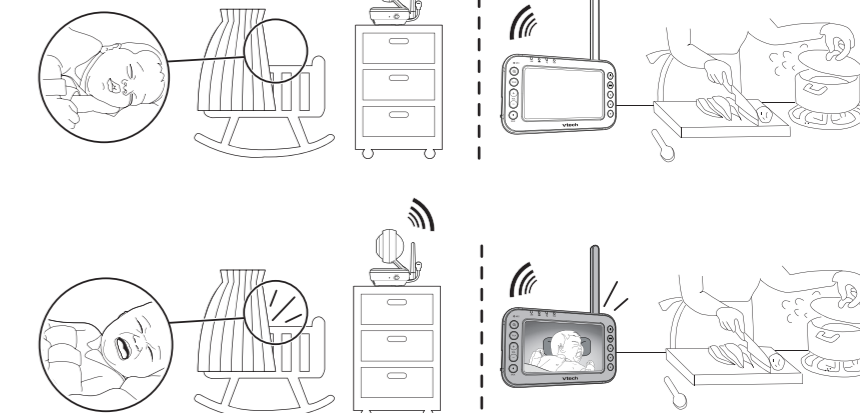
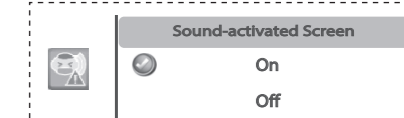
Turn off the parent unit

Press and hold **⏻** to power off your parent unit.



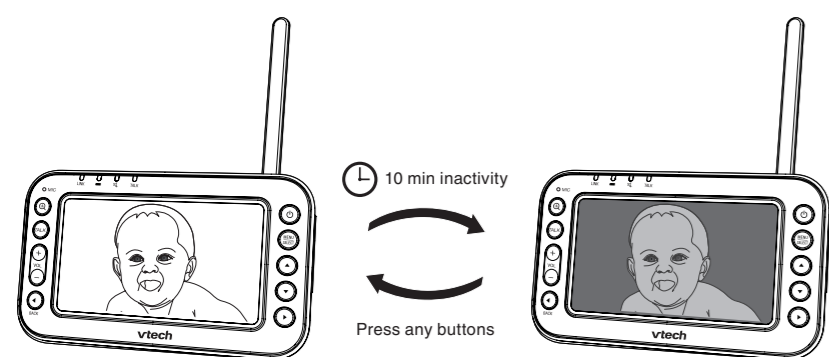
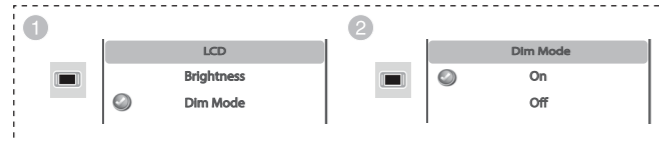
Sound activation

When the baby unit detects no sound, the parent unit screen stays off to save power. Once a sound is detected, the parent unit screen turns on automatically. It will then turn off again after 50 seconds of no sound detection.



Dim mode

With dim mode preset to on, your parent unit display will dim to conserve energy after 10 minutes of inactivity, in which there is neither key pressed nor alert received from the baby unit.

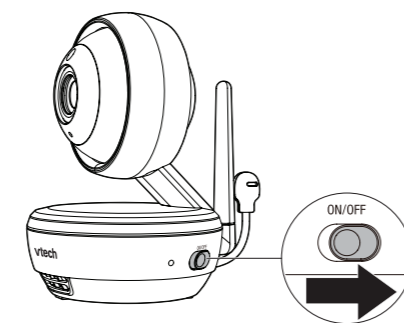


NOTE
• If you do not want LCD to dim automatically, turn off the **Dim Mode**.

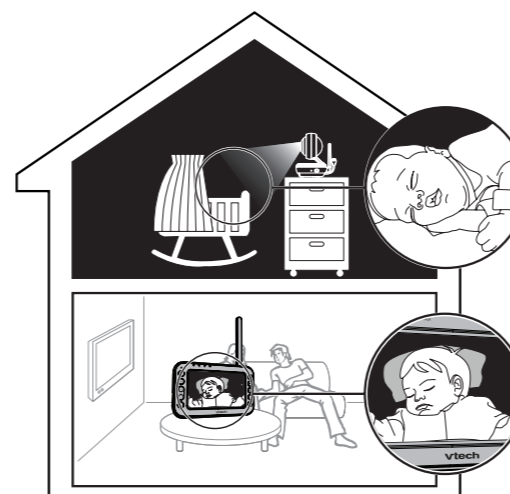
Basic operation - Baby unit

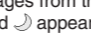
Turn off the baby unit

Slide the **ON/OFF** switch to **OFF** to power off your baby unit.



Night vision



The baby unit has infrared LEDs that allow you to see your baby at night or in a dark room. When the baby unit detects low light levels, the infrared LEDs turn on automatically. The images from the baby unit are in black and white, and  appears on screen.

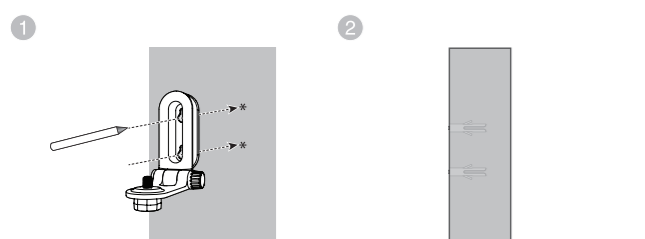
NOTES

- It is normal if you see a short white glare on your parent unit screen as the baby unit is adapting to the dark environment.
- When the infrared LEDs are on, the images are in black and white. This is normal.

TIP

- Depending on the surroundings and other interfering factors, like lightings, objects, colors and backgrounds, the display resolution may vary. Adjust the baby unit's angle, or place the baby unit at a higher level to prevent glare and blurry display.

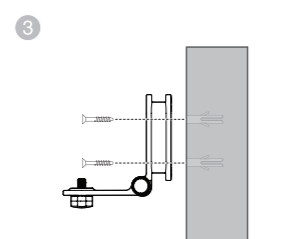
Mount the baby unit (optional)



NOTE
• Check for reception strength and camera angle before drilling the holes.

Place the wall mount bracket on a wall and then use a pencil to mark the top and the bottom holes as shown. Remove the wall mount bracket and drill two holes in the wall (7/32 inch drill bit).

If you drill the holes into a stud, go to step 3.
-OR-
If you drill the holes into an object other than a stud, insert the wall anchors into the holes. Tap gently on the ends with a hammer until the wall anchors are flush with the wall.

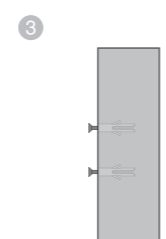


Align the wall mount bracket and screws with the holes in the wall as shown. Tighten the screw in the middle hole first, so that the wall mount bracket position is fixed. You can tighten the other screw in the top hole.

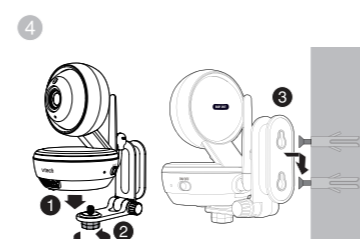


Place the baby unit on the wall mount bracket. Tighten the screw into the threaded socket at the bottom to secure the baby unit.

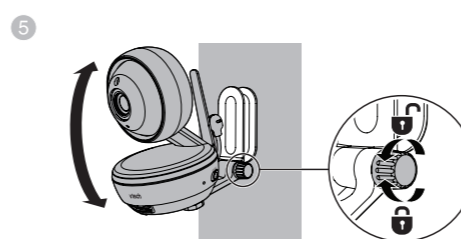
OR



Insert the screws into the holes and tighten the screws until only 1/4 inch of the screws are exposed.



Place the baby unit on the wall mount bracket. Tighten the screw into the threaded socket at the bottom to secure the baby unit. Align the holes on the wall mount bracket with the screws on the wall, and slide the wall mount bracket down until it locks into place.



The default angle of the wall mount bracket is 90 degrees. You can maximize your baby unit's viewing angles by tilting the wall mount bracket.

Hold the baby unit, and then rotate the knob in anticlockwise direction. This will loosen the joint of the wall mount bracket. Tilt your baby unit up or down to adjust to your preferred angle. Then, rotate the knob in clockwise direction to tighten the joint and secure the angle.

